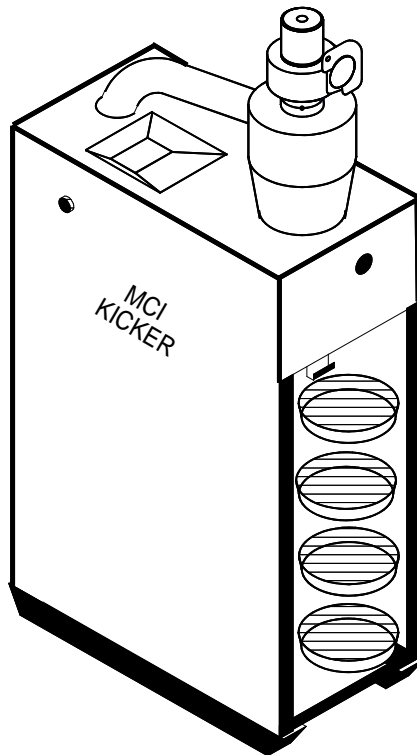


**OPERATOR'S MANUAL**  
**MCi KICKER**  
**LABORATORY GRAIN CLEANER**



**THIS MANUAL INCLUDES:**

Set Up Instructions  
Start Up Instructions  
Suggestion of Operation  
Maintenance Instructions  
Fan Damper Information  
Screen Chart  
Warranty

**For Information or Parts Needs, Please Call or Fax  
(800) 279-6812 Fax: (316) 283-0745**

# **THE MCI KICKER**

Enclosed in this manual you will find suggested settings, screen size, and operations for your MCI Kicker laboratory grain cleaner. Also included are some ideas that might help you to explain to the grain producer why the MCI Kicker is being used.

First, here are some helpful ideas. It is necessary for the country elevator to check for grain volume and quality or the producer may find his favorite country elevator closed due to paying for “stuff” he is unable to sell. Remind the producer you are in the business to purchase and handle grain. Weeds, sticks, dirt, stocks, trash and excess broken grain force you to pay lower prices to everyone to compensate for the producers who bring you products which in return you are unable to sell.

Many elevators are not showing the price reduction on the checks or scale tickets. Instead, they are indicating what percentage of the load they are buying. Example: instead of a 1½-% reduction, pay 98.5% of the weight as grain.

# THE MCI KICKER

## SUGGESTION OF OPERATION

1. Weigh a sample of 250 to 1000 grams.
2. Set the grain selection guide as appropriate for the crop being tested.
  - ✓ Check for proper screen size
  - ✓ Check flow setting
  - ✓ Check air setting
3. Make sure all pans are in the proper place.
4. Turn the MCI Kicker ON.
5. Dump sample into feeder opening.
6. Wait until sample has run through the MCI Kicker, then turn it OFF.
7. Your MCI Kicker is designed to separate the light material through aspiration, and the large coarse material by scalping the clean grain, the shrunken or broken, and the fine or FM. All this will be done in one operation with the need for very little, if any, hand picking. Depending on the FM in the sample, some hand picking may be required to arrive at the same results as FGIS.

### **NOW YOU HAVE A CHOICE**

8. Remove the clean grain pan from the MCI Kicker, weigh the clean grain, and then pay for clean grain. You might have to give a little to the producer, depending on the competition. Buying clean grain is more palatable to the producer than docking him.

### **ALSO**

9. By removing only the clean grain pan and maybe adding back the SB, you can speed up the time between samples.

### **OR**

10. Remove the bottom pan (dockage), the top pan (dockage), and the aspirated product out of the collector (dockage), co-mingle the product and then weigh it.
11. If you use clean grain as your factor and you do not have a dockage scale, simply divide the starting sample weight into the clean grain sample. This gives you the percentage of clean grain.
12. If you use dockage as your factor, then you simply divide the starting sample into the dockage co-mingled sample. This will give you the percentage of dockage.

## SECTION I

### *SETUP INSTRUCTIONS: MECHANICAL AND ELECTRICAL*

1. **INSPECT CARTON/CRATING. IF DAMAGED NOTIFY YOUR CARRIER IMMEDIATELY!**
2. Carefully open and remove carton/crating materials and inspect your new MCi Kicker.
3. Remove nails from shipping boards located at the bottom of the unit. Remove boards from each side of your new MCi Kicker.
4. Move or place your new MCi Kicker in the desired location. Flooring **MUST** be solid for proper operation of your new MCi Kicker. Position unit, being careful to maintain a minimum distance of 32" clearance in the front to allow for the changing of screens and test pan access. The left side of the unit must be exposed for access to controls and feeder/hopper.
5. Turn the (4) adjustable legs/feet to adjust unit to a level position, ensuring that the unit is stable and solid on the floor. Tighten lock nuts on the legs bolts.
6. Tip unit sideways and install the rubber cups (foot covers) on the bottom of the legs/feet.
7. Remove fan assembly from carton. Ensure that the "air damper" is attached per illustrated drawing.
8. Place rubber connector over the extension at the top of the collector.
9. Install fan assembly into the top of the rubber connector, positioning the discharge opening away from the unit and the operator.
10. Tighten fan clamp and rubber connector clamp (to the collector) in an alternating and even manner.
11. Install fan wires into the "pig tail" wires that are laying on top of the cabinet. Connect either wire to either connector.
12. Connect power cord receptacle with at least a fifteen-amp circuit.

**CAUTION: "ON-OFF" Switch located in center of front panel must be in the "OFF" position prior to connecting to power source.**

**WARNING: If extension cord is used, it **MUST** be a minimum of 14 gauge with ground, heavily insulated.**

*Mechanical & Electrical Set up Instructions continued . . .*

**NOTE:** Inspect fan discharge opening, feeder/hopper, collector discharge opening and all front access openings for any foreign or packing materials. Remove as necessary prior to turning “on” the unit.

**NOTE:** Check that screens are securely in place and holding clamps are keeping screens securely in place. **DO NOT OVER TIGHTEN.** On the four-screen Kicker, make sure the top fine-screen holding rod is securely in the notches and the swing pan bracket is latched properly.

13. Set feeder control and position the fan air-damper to settings as suggested in the “Grain Selection Guide”. (See attached sheet.)
14. Turn unit “ON”. **CAUTION:** If unit fails to start within three (3) seconds, immediately turn “OFF” the unit and perform the following checks in sequence.
  - A. Check fuses or breaker power source. If defective, repair or replace as necessary. Proceed with step #14. If unit still fails to start, proceed with check B.
  - B. If extension cord is being used, it must be checked. If extension cord is too long, replace it with a heavier gauge wire with ground to allow sufficient current to operate unit. Proceed with step #14.
  - C. If the unit still refuses to start, consult the maintenance manual.

*Proceed to Section II, Startup Instructions.*

## SECTION II

### *STARTUP INSTRUCTIONS*

1. Start unit. *\*Note: Any time machine fails to start refer to Section I-14, A, B, C.*
2. Place at least a 250-gram sample into hopper access located on top of unit.
3. Allow unit to operate for approximately 30 seconds **OR** until all grain has passed over screen position #2 (clean grain).
4. Repeat steps # 1 and # 2 five (5) times. This will allow the screens to “season” and the self-cleaning feature (pulsating rubber balls) to “seat” the pattern for consistent future use.

#### **NOTE:**

- **Under no circumstances should the unit be operated without all screens being in place.** This will cause the cleaning balls to be thrown from the trays located under the screens and be lost or otherwise damaged and defeat the self-cleaning feature.
- Light test weight grain(s) will require an air/feeder setting other than as suggested for you to achieve your desired results.

# THE MCI KICKER

## MAINTENANCE INSTRUCTIONS

Keep legs adjusted properly so the unit is firm on the floor.

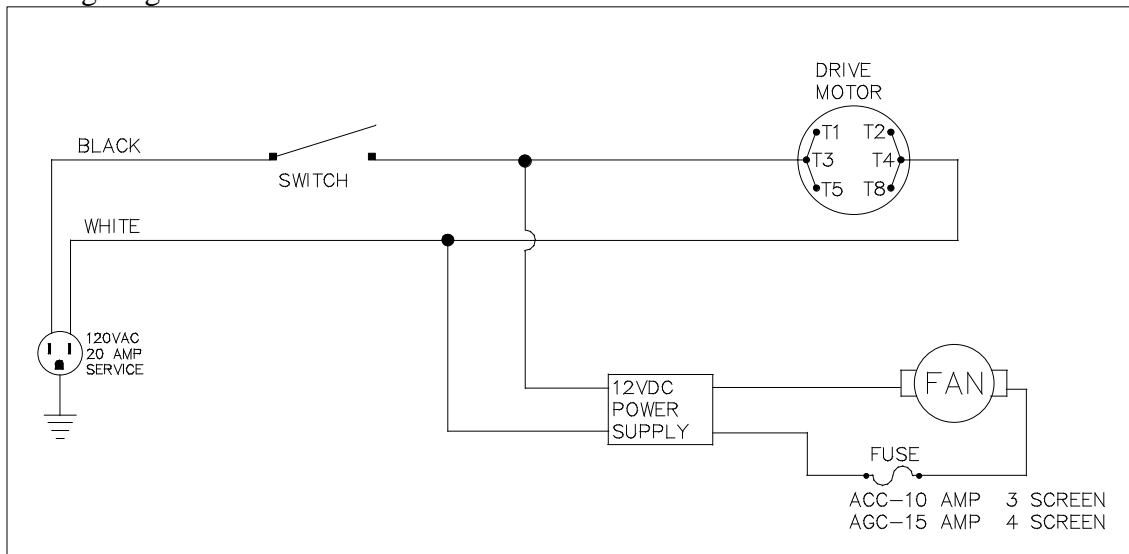
NOTE: All directions of the unit are given as if standing at the front. Pans insert in the front, the flow adjuster knob is on the left side, etc.

After 100 hours of operation, *check belt tension*. Belts should be adjusted to where they are just snug. Do not over tighten! Access to the belts is gained by removing the two screws that attach the flow control knob, and removing the left side and insulation panels. *Bearings do not require greasing* as are a sealed type. If the Kicker should “squeak during operation, a small amount of grease can be placed on the cam follower (#7 in the parts section).

Electrical connections may vibrate loose during shipment or operation. If this should happen, remove the right panel and insulation to gain access to the wiring circuits. Check for loose or broken connections.

Due to various local voltages, the unit may run off speed and will not work as intended. The MCI Kicker should bump at between 128 and 130 shakes per minute. If the unit is running too slow or too fast, refer to item 3 for access to the motor pulley. If the machine is running too fast, adjust the motor pulley wider to slow the unit down. If the machine is running too slow, adjust the motor pulley narrower to speed the unit up.

Wiring diagram as follows:



MCI KICKER MUST BE WIRED TO IT'S OWN 20 AMP BREAKER.  
USE NO LESS THAN A 12GA. CONDUCTER.

4903

*MCi Kicker and MCi Auto Kicker Operators Manual*  
*“Maintenance Addendum”*

This addendum is to remove the possible “squeaking” problem on some units. While said squeak does not affect the operation of the Kicker, the following procedure will cure the annoyance.

The simple fix is to apply a small portion of high quality grease, such as wheel bearing grease, to the Cam mechanism that causes the top sieve to “bump”. This Cam is located towards the middle of the upper 1” dia. horizontal shaft (see illustration below).

Instructions are as follows:

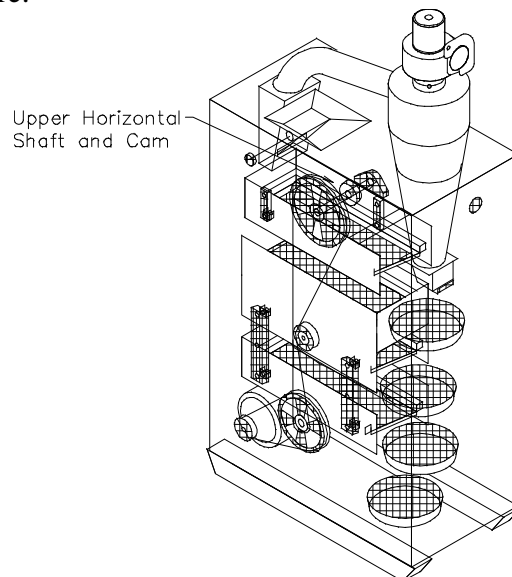
**\*\*\*\* DISCONNECT ALL ELECTRICAL POWER TO THE UNIT FIRST \*\*\*\***

Using a flashlight, or other adequate light source, locate the upper shaft and cam by reaching through the front of the Kicker. Using the pulley on your left, turn the shaft until the set screw hole is on top.

Apply the grease until the set screw hole is filled. Then add a small amount of grease (size of a Soybean) on the surface of the cam. Do not be concerned with coating the entire surface. The grease will spread evenly during the operation of the Kicker. You need to take care when applying the grease. If too much is applied, there is a possibility that the grease will fall on the top sieve. Monitor the top sieve for “drippings,” and wipe off excess of if this occurs.

Reconnect the electrical power, and run the Kicker for approximately 1 minute, to allow the grease to coat the cam evenly.

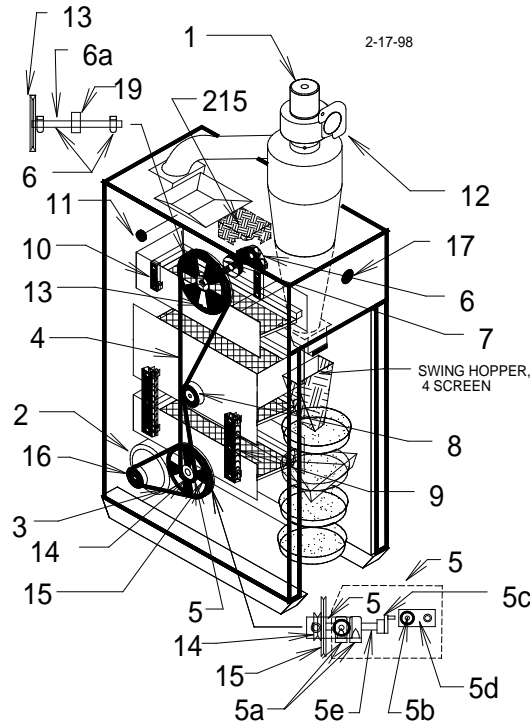
NOTE: This procedure may need to be performed once every year, depending on whether or not the squeak develops again. If you are doing a routine maintenance check, (refer to the maintenance section in the Operators Manual), this would be the best, and easiest, time to perform the above procedure.





# MCI KICKER PARTS LIST

ITEM	DESCRIPTION	PART NUMBER
1	Air Lifting Fan & Motor	50-7125
2	Drive Motor ½ HP/120 Volt	41-5135
3	Drive Belt/Motor	41-5275
4	Drive Belt/Shaker	41-5270
5a	Shaker Mount Bearing (2)	41-5240
5b	Pitman Bearing	41-5245
5c	Pitman Crank Assy.	41-4805
5d	Pitman Drive	33-4809
5e	Shaker Drive Shaft	
6	Scalp Drive Bearing (2)	41-5240
6a	Scalp Drive Shaft	
7	Cam Roller	41-5235
8	Idler/Drive Belt	41-5340
9	Shaker Pivot Arm	33-4820
10	Scalp Pivot Arm	33-4819
11	Feeder Adjusting Knob	41-5145
12	Air Damper, Front Mount	29-7012
13	Pulley/Scalp Driven	41-5255
14	Pulley/Scalp Drive	41-5250
15	Pulley/Shaker Driven	41-5260
16	Pulley/Drive Motor	41-5265
17	Switch On/Off	41-5320
18	Door & Screen Clamp	50-7295
19	Scalp Cam	41-5335
215	Power Converter	50-7126
	Balls/Cleaning	41-5195



# **MCi KICKER**

## **\*\*\* LIMITED WARRANTY \*\*\***

Mid-Continent Industries, Inc., hereafter known as MCi, does warrant to the original purchaser, the MCi Kicker, against defective materials and workmanship, from the date of delivery, with the exception of the following components and chassis.

### **Five Year Coverage**

- FRAME: ALL PARTS AND LABOR
- MATERIAL PARTS ONLY

### **Two Year Coverage**

- ALL ELECTRICAL WIRING AND SWITCHES

*NOTE: Motor(s) and fan(s) are specifically covered under specific manufacturer warranties, and are available upon request.*

MCi will, at its option, repair or replace the defective part(s). All warranty claims **MUST** be made directly to MCi and any warranty parts must be returned to MCi for credit.

MCi will **not** be held liable for any field modifications not expressly furnished and authorized by in writing by the engineering department of MCi. Any unauthorized modifications immediately render this warranty null and void. This warranty expires completely after fifteen (15) days of delivery of the unit to the purchaser.

MCi will not be liable for any consequential damages, nor for commercial consequential damages resulting from any breach of this warranty, or any other warranty. All of which are expressly disclaimed for any delays in performance of this warranty due to causes beyond the direct control of the manufacturer.

MCi neither assumes nor authorizes any person to create nor assume for MCi, any obligation(s) or liability(ies) in connection with MCi products, nor to undertake any responsibilities beyond those set forth in this instrument.

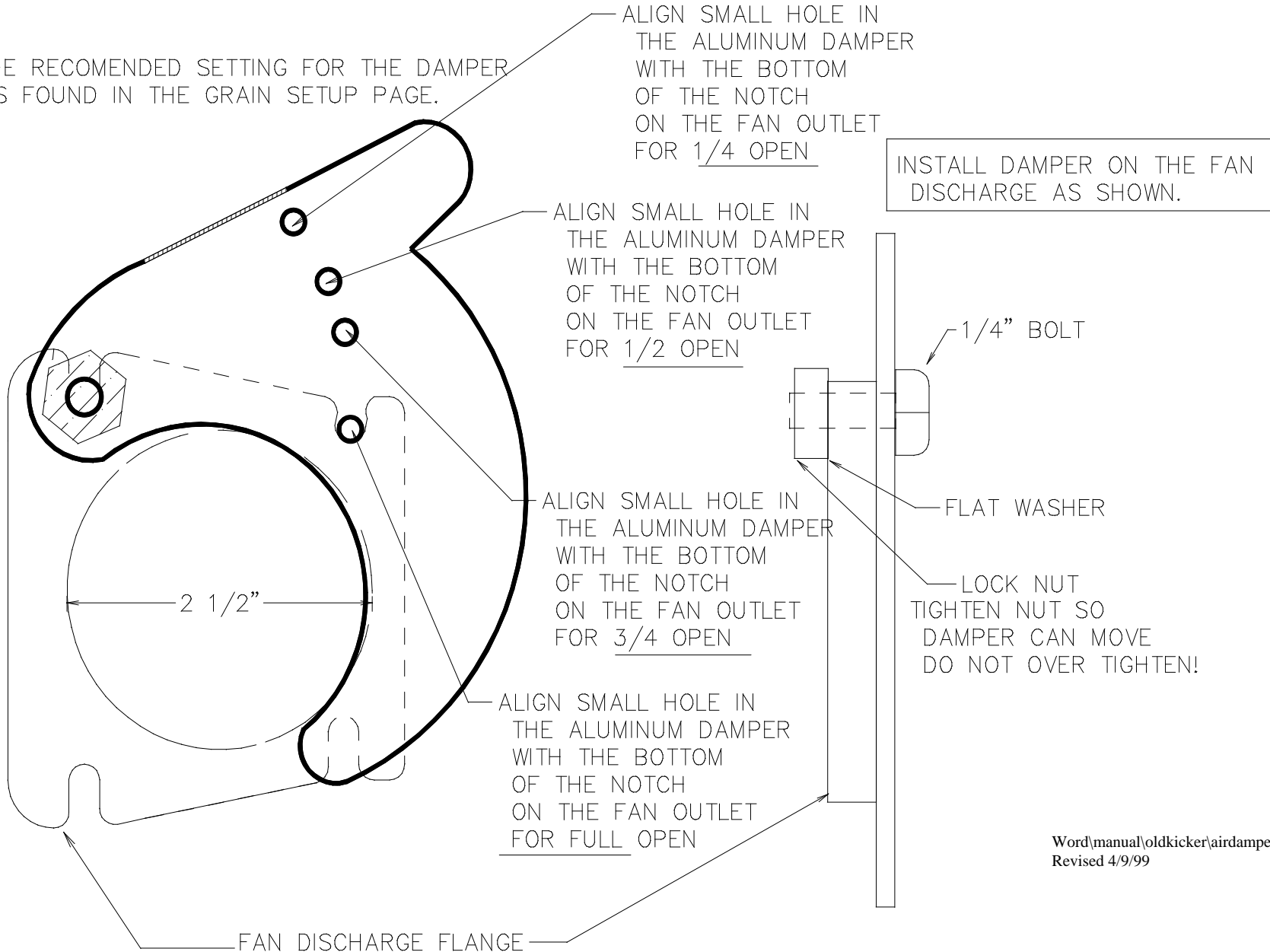
This warranty disclaims any liability whatsoever due to: loss of time, use of the product, anticipated profits, increased expenses or loss of operations by reason of plant shutdowns, inconveniences or any other matter(s) not specifically included in this warranty.

These warranties are in lieu of any other warranties, expressed or implied, including the extent that any such limitation will be limited by any state or federal law, then such portions of the limitation will be deemed null and void.

Any dispute concerning this warranty will be governed by the laws of the State of Kansas and venue will reside in the State of Kansas.

# INSTALLATION AND SETTING OF THE AIR DAMPER ON FAN DISCHARGE

THE RECOMENDED SETTING FOR THE DAMPER IS FOUND IN THE GRAIN SETUP PAGE.



# **SCREEN SELECTION**

**The Following Sections Include**

**Screen Selection Charts**

**for both**

**3-Screen and 4-Screen Machines**

**Follow the instructions on cover sheets of each section for charts that do not apply to your machine.**

# **3-SCREEN KICKER**

## **SCREEN SELECTION CHARTS**

**The following pages are for 3-screen machines.**

**If you own a 4-screen machine, they may be discarded.**

## MCI KICKER THREE SCREEN CHART

### SCREEN SIZES, LOCATION, FEED, AND AIR SETTING(S) – TOP DAMPER

<u>SCREEN LOC.</u>	<u>SCALP</u>	<u>SECOND</u>	<u>THIRD</u>	<u>FEED</u>	<u>AIR</u> <input type="checkbox"/>
<b>Barley</b>	9 x 3/4	4 1/2 slot	6rd	2	1/4
*1		5 slot			
<b>Corn</b>	32rd	12rd	8rd	3 1/2	open
*2	36rd	14rd	6rd		
<b>Millet</b>	12rd	9rd	.067rd	1	1/4
*3	6 x 3/4	4 slot			
<b>Oats</b>	9 x 3/4	4 slot	10tri	2 1/2	1/4
*4					
<b>Sorghum</b>	12rd	4 slot	5rd	2	1/4
*5	9 slot	5tri	2 1/2rd		
<b>Soybeans</b>	24rd	9 x 3/4	8rd	3	open
*6	26rd	10 x 3/4			
<b>Wheat</b>	JGS	4 slot	5rd	2	1/4
*7	12rd	10tri	4 slot		
<b>Flower “O”</b>	18rd	12rd	8rd	2 1/2	1/4
*8			5rd		
<b>Flower “C”</b>	24rd	22rd	20rd	3 1/2	1/4
*9	28rd	20rd	Blank		

\* Optional screen sizes are on the second row.

The **AIR** setting is only a guide. Depending on the test weight of the grain, it may need to be opened more or less.

**NOTICE:** Recommendation for screens used in the MCI KICKER are based upon extensive lab work and verification of users. Almost any method may be used by “commercial” grain handlers according to FGIS. Only “official inspectors” employed by FGIS need follow official procedure. The suggested screens allow the fastest and most accurate method to achieve the fairest results.

**You should check the results of your machine with your local official testing station, then adjust the MCI KICKER accordingly. Multiple machines in the same company should be checked with one another for the best results.**

Mid-Continent Industries, Inc. will not be held liable for the results obtained from any grain grading process.

\*1 Dockage is the total fractions of air, over scalp, thru the fine.

FM is everything else that is not **BARLEY**.

\*2 BC is everything thru 12rd & over 8 or 6 rd

FM is thru the 8 or 6rd and everything that is not **CORN**.

\*3 Dockage is everything that is not **MILLET**.

\*5

\*6 Splits can be checked on an 8, 9, or 10 slot.

Most use the 10. FM is everything thru an 8rd and everything that is not **BEANS**.

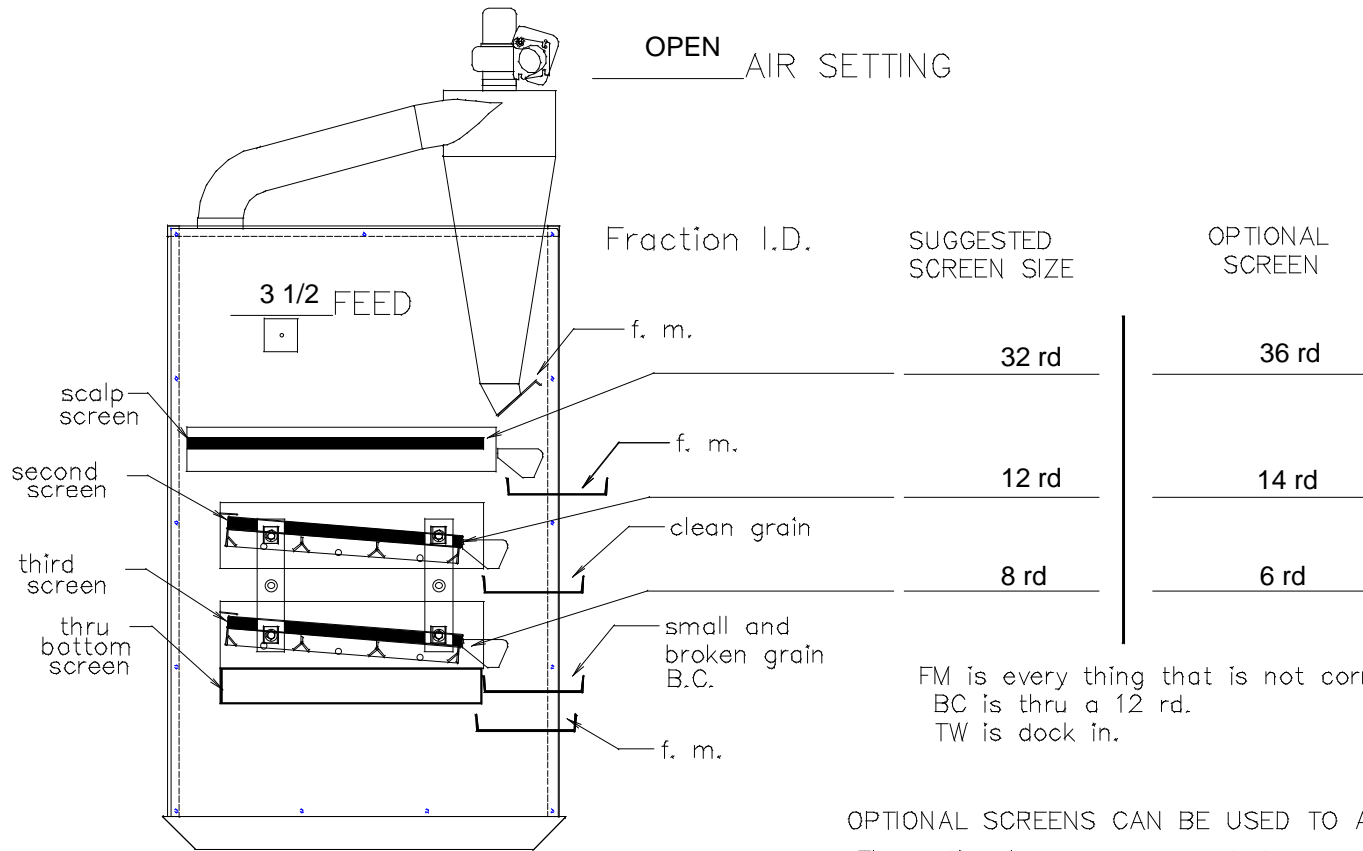
\*7 Dockage is over the scalp, removed by air and thru 5rd and 10tri. SB is thru 4 slot. FM is anything else left in the sample.

\*8

\*9 **CONFECTIONERY SUNFLOWERS** can be sized as well as other grains.

# THREE SCREEN MCI KICKER

GRAIN \_\_\_\_\_ CORN \_\_\_\_\_



**MID CONTINENT INDUSTRIES, INC.**  
NEWTON KS. 67114 PH. 316-283-9648

OPTIONAL SCREENS CAN BE USED TO ACHIEVE DESIRED RESULTS

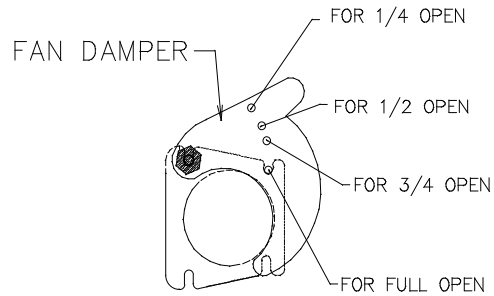
The optional screens suggested are used by some operators.

The options are shown in the locations suggested.

Depending on the crop, AIR SETTING and/or FEED setting may need be adjusted to achieve desired results





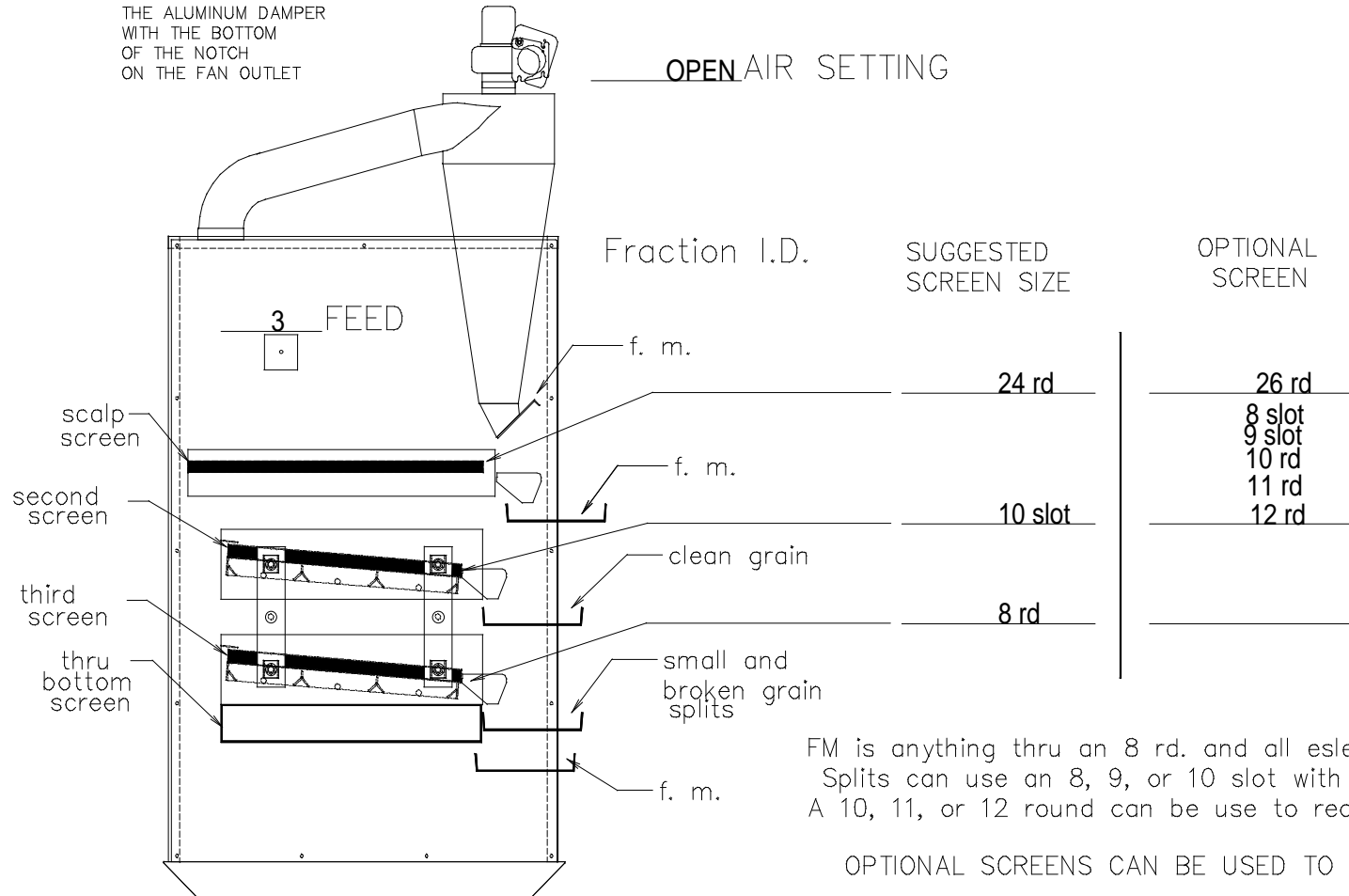


# THREE SCREEN MCI KICKER

GRAIN SOYBEANS

ALIGN SMALL HOLE IN THE ALUMINUM DAMPER WITH THE BOTTOM OF THE NOTCH ON THE FAN OUTLET

OPEN AIR SETTING

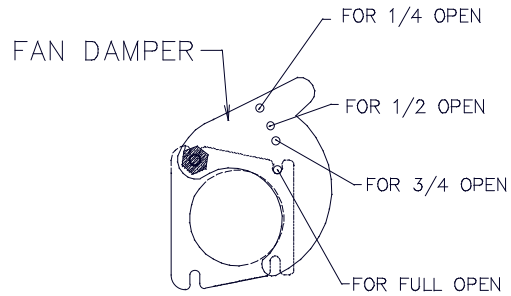


FM is anything thru an 8 rd. and all else that's not beans.  
 Splits can use an 8, 9, or 10 slot with FM taken out.  
 A 10, 11, or 12 round can be use to reduce or eliminate hand picking.

OPTIONAL SCREENS CAN BE USED TO ACHIEVE DESIRED RESULTS

The optional screens suggested are used by some operators.  
 The options are shown in the locations suggested.  
 Depending on the crop, AIR SETTING and/or FEED setting may need be adjusted to achieve desired results

**MID CONTINENT INDUSTRIES INC,**  
 NEWTON KS. 67114 PH. 316-283-9648

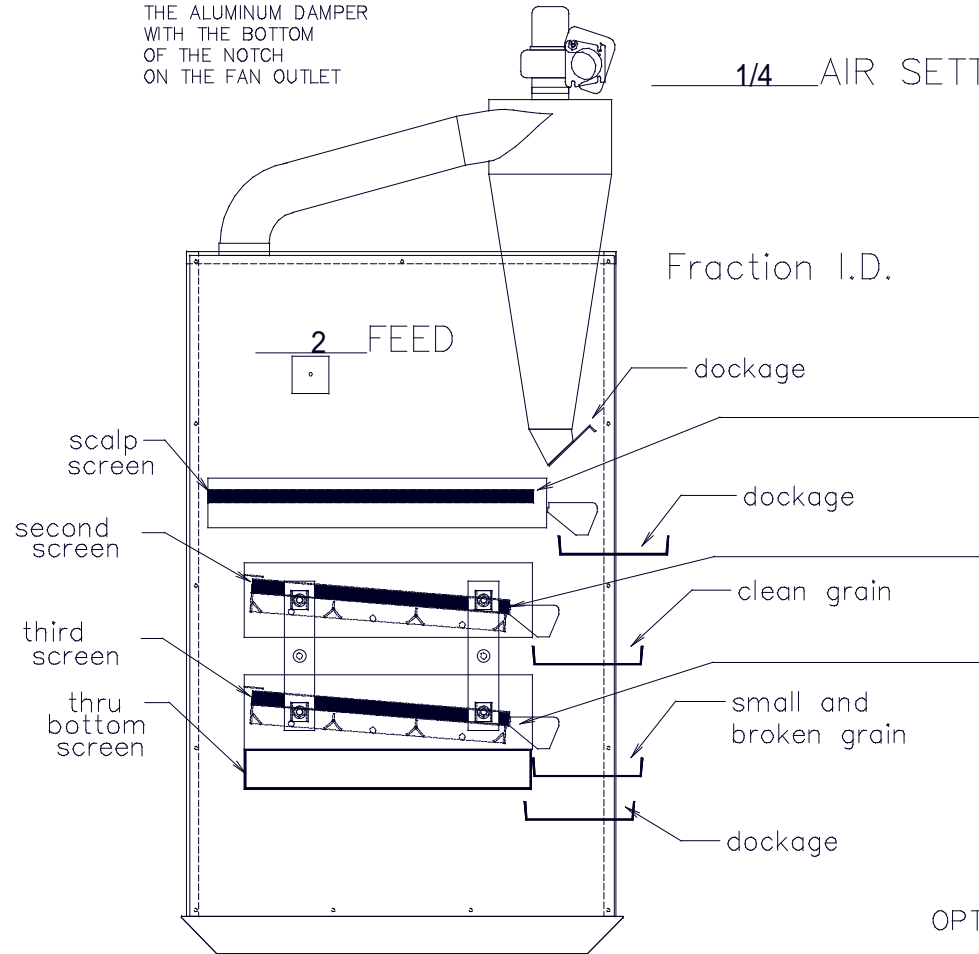


# THREE SCREEN MCI KICKER

GRAIN WHEAT

ALIGN SMALL HOLE IN THE ALUMINUM DAMPER WITH THE BOTTOM OF THE NOTCH ON THE FAN OUTLET

1/4 AIR SETTING



Fraction I.D.	SUGGESTED SCREEN SIZE	OPTIONAL SCREEN
	<u>JGS</u>	<u>12 rd</u>
	<u>4 slot</u>	<u>10 tri</u>
	<u>5 rd</u>	<u>4 slot</u>

Dockage is everything that can be scalped, removed by air and thru a 5 round. FM is everything that remains in the sample that's not wheat. TW is dock out.

OPTIONAL SCREENS CAN BE USED TO ACHIEVE DESIRED RESULTS

The optional screens suggested are used by some operators. The options are shown in the locations suggested. Depending on the crop, AIR SETTING and/or FEED setting may need be adjusted to achieve desired results

**MID CONTINENT INDUSTRIES, INC.**  
 NEWTON KS. 67114 PH. 316-283-9648

# **4-SCREEN KICKER**

## **SCREEN SELECTION CHARTS**

**The following pages are for 4-screen machines.**

**If you own a 3-screen machine, they may be discarded.**

## MCI KICKER FOUR SCREEN CHART

### SCREEN SIZES, LOCATION, FEED, AND AIR SETTING(S) – REAR DAMPER

<u>SCREEN LOC.</u>	<u>SCALP</u>	<u>FINE</u>	<u>THIRD</u>	<u>FOURTH</u>	<u>FEED</u>	<u>AIR</u> <input type="checkbox"/>
<b>Barley</b>	9 x 3/4	10tri NH	4 1/2 slot	6rd	2	1/2
*1		9tri NH	5 slot			
<b>Corn</b>	32rd	Blank NH	12rd	8rd	3 1/2	3/4
*2	36rd		14rd	6rd		
<b>Millet</b>	12rd	Blank NH	9rd	.067rd	1	Close
*3	6 x 3/4	10tri NH	4 slot			
<b>Oats</b>	9 x 3/4	5rd NH	4 slot	10tri	2 1/2	1/4
*4		5 tri NH				
<b>Sorghum</b>	12rd	Blank NH	4 slot	5rd	2	1/4
*5	9 slot	Blank NH	5tri	2 1/2rd		
<b>Soybeans</b>	24rd	8rd	9 x 3/4	12rd	3	3/4
*6			10 x 3/4	any rd		
<b>Wheat</b>	JGS	Blank NH	4 slot	5rd	2	1/4
*7	12rd	5rd NH	12rd	8rd	2 1/2	1/4
<b>Flower “O”</b>	18rd	Blank NH	12rd	8rd	2 1/2	1/4
*8				5rd		
<b>Flower “C”</b>	24rd	12rd	22rd	20rd	3 1/2	1/4
*9	28rd	14rd NH	20rd	Blank		

- \* Optional screen sizes are on the second row. Optional 3<sup>rd</sup> & 4<sup>th</sup> screens can be placed in other slots & **FINE** slot if handle is removed, to obtain desired results.
- The **AIR** setting is only a guide. Depending on the test weight of the grain, it may need to be opened more or less.
- To increase the air takeout, OPEN the damper more.

**NOTICE:** Recommendation for screens used in the MCI KICKER are based upon extensive lab work and verification of users. The suggested screens allow the fastest and most accurate method to achieve the fairest results. *According to FGIS, almost any method may be used by “commercial” grain handlers. Only “official inspectors” employed by official testing stations need follow official procedure.*

**You should check the results of your machine with your local official testing station, then adjust the flow, the screen sizes, and the air setting to obtain like results. Multiple machines in the same company should be checked with one another for the best results.**

Mid-Continent Industries, Inc. will not be held liable for the results obtained from any grain grading process. Operators, installation locations, firmness of the floor it is placed on, etc., will affect results.

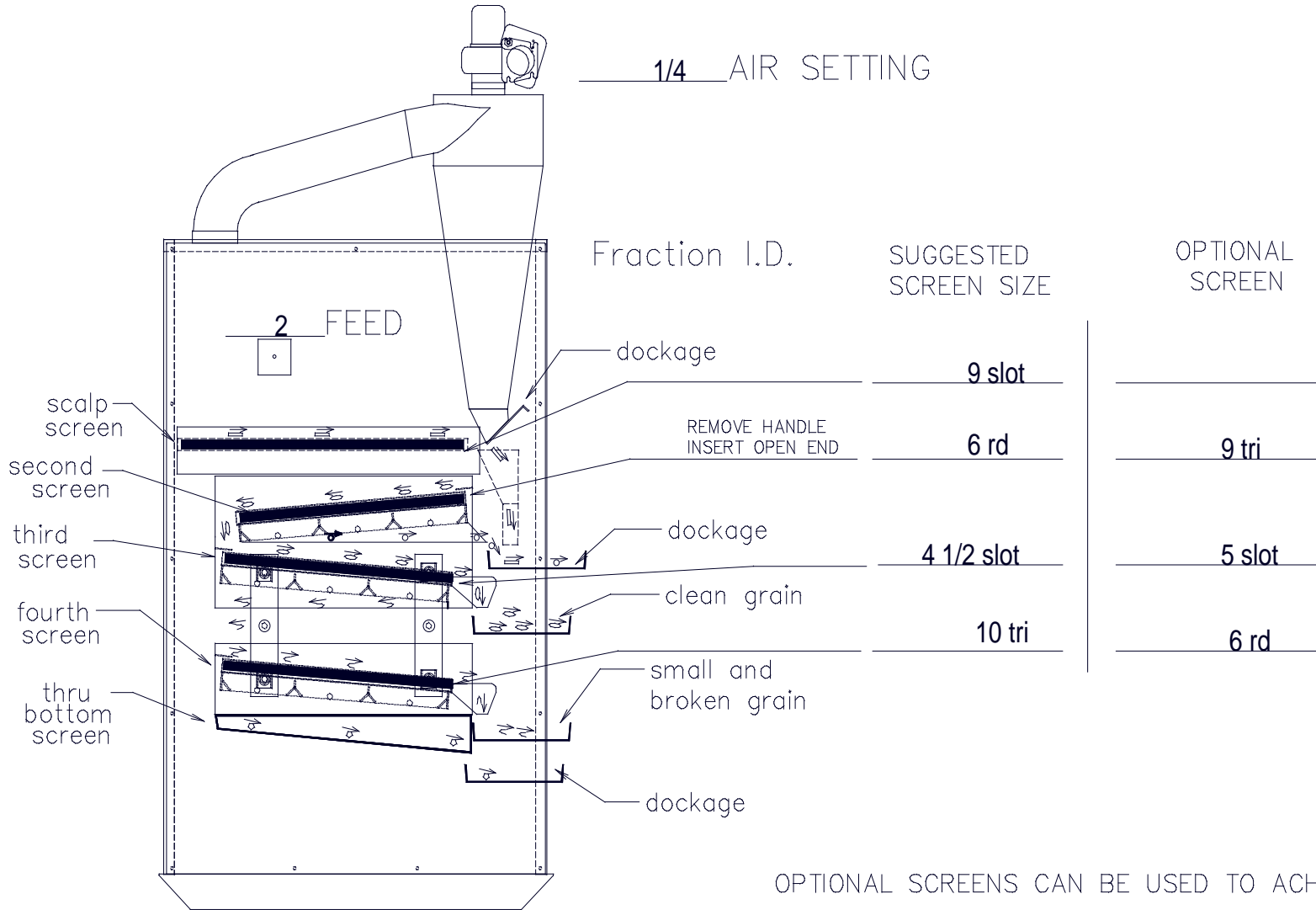
- \*1 Dockage is the total fractions of air, over scalp, thru the fine. FM is everything else that is not **BARLEY**.
- \*2 BC is everything thru 12rd & over 8 or 6 rd FM is thru the 8 or 6rd and everything that is not **CORN**.
- \*3 Dockage is everything that is not **MILLET**.
- \*4 FM is thru 5/64 and everything that is not **OATS**.
- \*5
- \*6 Splits can be checked on an 8, 9, or 10 slot.

- Most use the 10. FM is everything thru an 8rd and everything that is not **BEANS**.
- \*7 Dockage is over the scalp, removed by air and thru 5rd and 10tri. SB is thru 4 slot. FM is anything else left in the sample.
- \*8
- \*9 **CONFECTIONERY SUNFLOWERS** can be sized as well as other grains.

# FOUR SCREEN MCI KICKER/AUTOKICKER

GRAIN BARLEY

1/4 AIR SETTING



**MID CONTINENT INDUSTRIES, INC.**

NEWTON KS. 67114 PH. 316-283-9648

OPTIONAL SCREENS CAN BE USED TO ACHIEVE DESIRED RESULTS

The optional screens suggested are used by some operators.

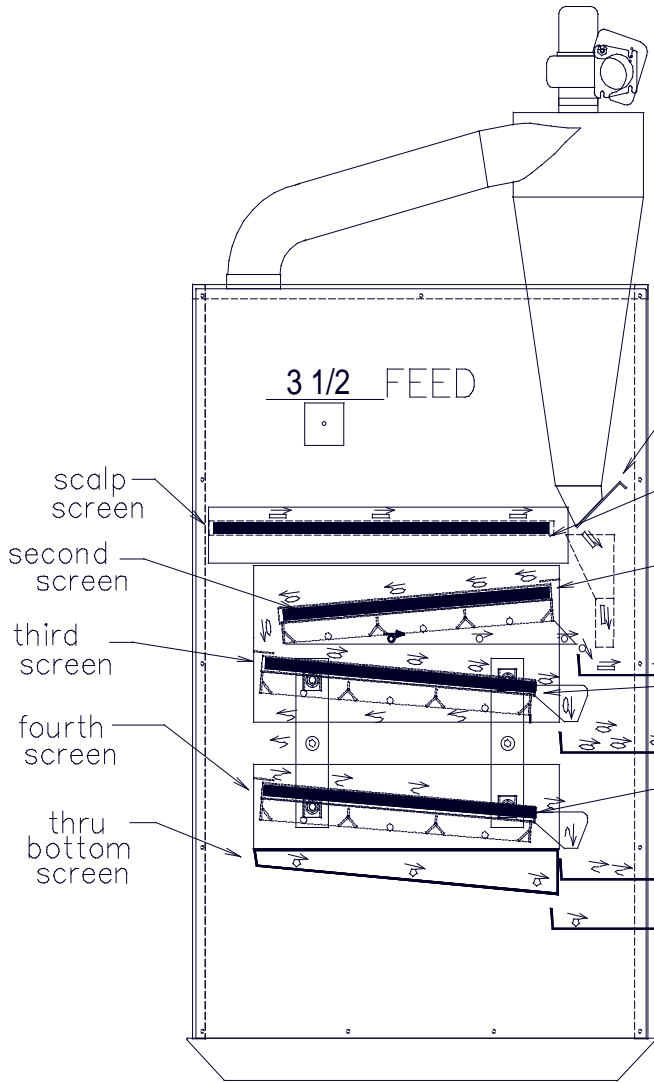
The options are shown in the locations suggested.

Depending on the crop, AIR SETTING and/or FEED setting may need be adjusted to achieve desired results

# FOUR SCREEN MCI KICKER/AUTOKICKER

GRAIN \_\_\_\_\_ CORN \_\_\_\_\_

\_\_\_\_\_ OPEN \_\_\_\_\_ AIR SETTING



Fraction I.D.

SUGGESTED  
SCREEN SIZE

OPTIONAL  
SCREEN

3 1/2 FEED

f. m.

32 rd

36 rd

scalp  
screen

REMOVE HANDLE  
INSERT OPEN END

blank

second  
screen

f. m.

12 rd

14 rd

third  
screen

clean grain

fourth  
screen

8 rd

6 rd

thru  
bottom  
screen

small and  
broken grain  
B. C.

f.m.

F. M. is every thing that's not corn.  
BC is thru a 12 rd. TW is FM in.

MID CONTINENT INDUSTRIES, INC.

NEWTON KS. 67114 PH. 316-283-9648

OPTIONAL SCREENS CAN BE USED TO ACHIEVE DESIRED RESULTS

The optional screens suggested are used by some operators.

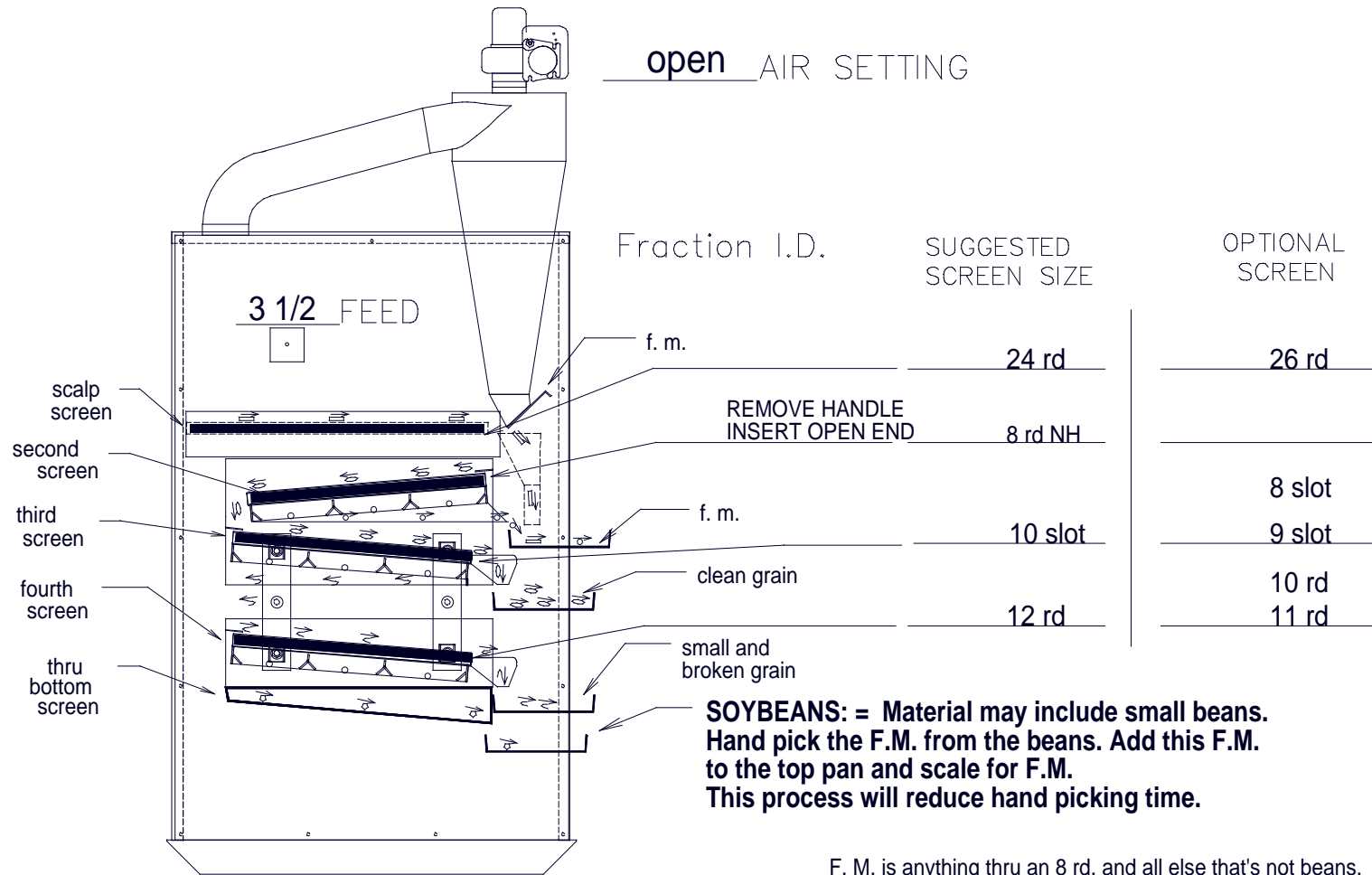
The options are shown in the locations suggested.

Depending on the crop, AIR SETTING and/or FEED setting may need to be adjusted to achieve desired results

# FOUR SCREEN MCI KICKER/AUTOKICKER

GRAIN SOYBEANS

open AIR SETTING



MID CONTINENT INDUSTRIES, INC.  
NEWTON KS. 67114 PH. 316-283-9648

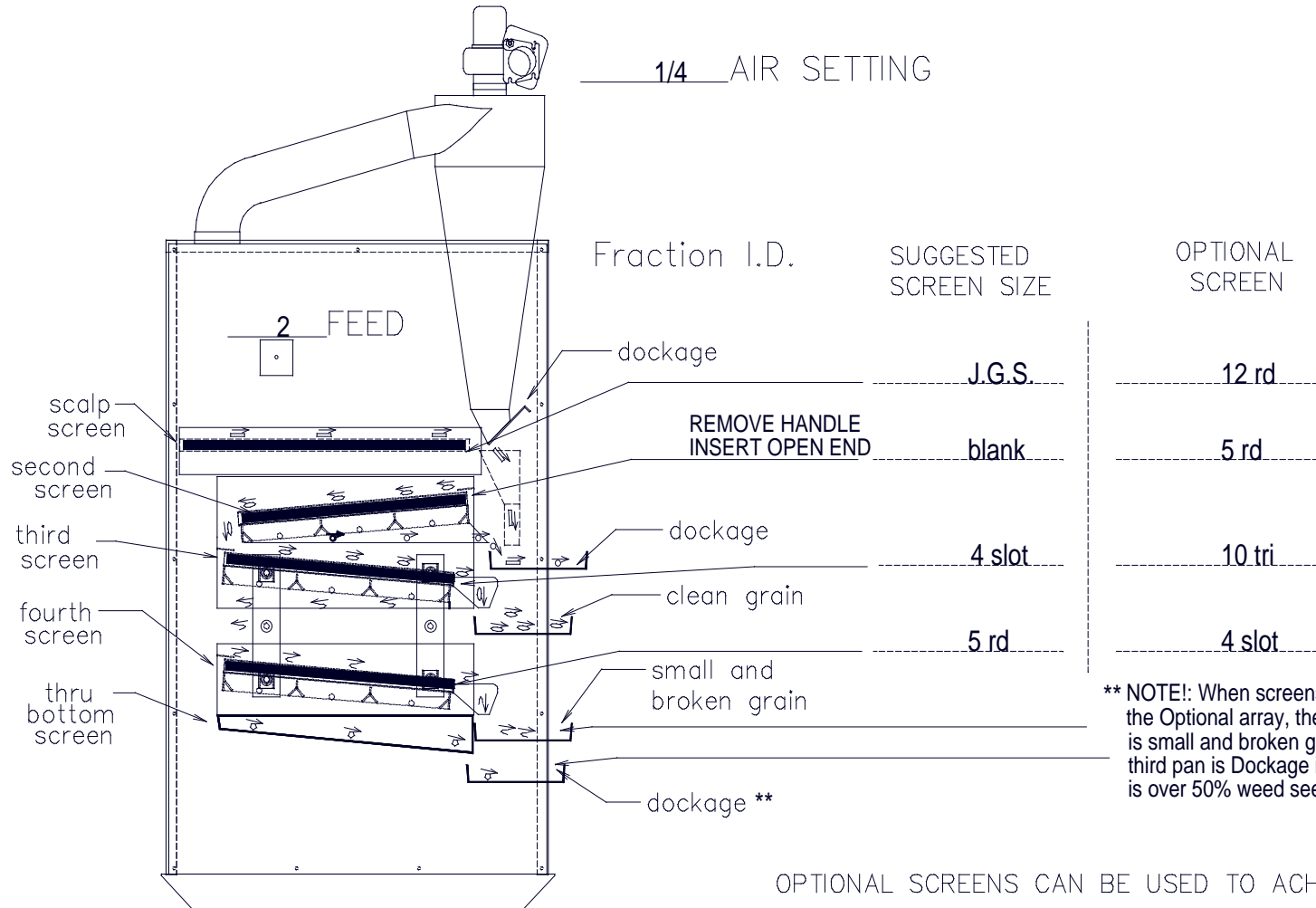
F. M. is anything thru an 8 rd. and all else that's not beans.  
Splits can use an 8, 9, or 10 slot with FM taken out.  
A 10, 11, or 12 rd. can be used to eliminate or reduce hand picking.

OPTIONAL SCREENS CAN BE USED TO ACHIEVE DESIRED RESULTS  
The optional screens suggested are used by some operators.  
The options are shown in the locations suggested.  
Depending on the crop, AIR SETTING and/or FEED setting  
may need to be adjusted to achieve desired results

# FOUR SCREEN MCI KICKER/AUTOKICKER

## GRAIN WHEAT

1/4 AIR SETTING



**\*\* NOTE!:** When screens are in the Optional array, then the bottom pan is small and broken grain and the third pan is Dockage if it's contents is over 50% weed seed !!!!!!!

**MID CONTINENT INDUSTRIES, INC.**  
 NEWTON KS. 67114 PH. 316-283-9648

OPTIONAL SCREENS CAN BE USED TO ACHIEVE DESIRED RESULTS  
 The optional screens suggested are used by some operators.  
 The options are shown in the locations suggested.  
 Depending on the crop, AIR SETTING and/or FEED setting  
 may need be adjusted to achieve desired results